

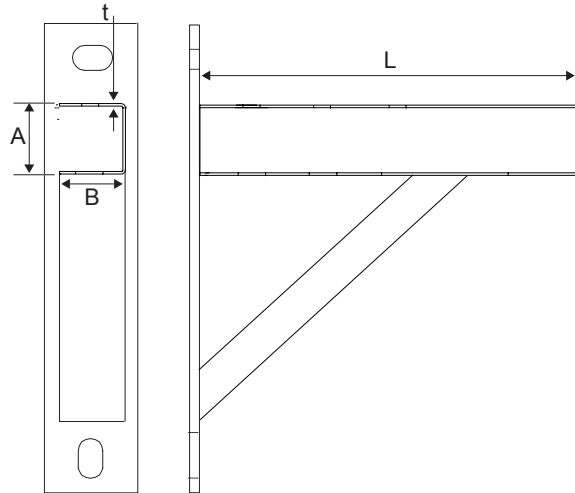


Supported Cantilever Arm - Scandic

Pipe Support

Technical Features

- **Sizes available** : See table below
- **Material** : Carbon steel
- **Finishes** : Hot Dipped Galvanized
- **Compatibility** : Compatible with Scandic Channel.



Supported Cantilever Arm - Scandic

Physical Data

Section (mm) A x B x t	Length (mm) L	Dimensions (mm / inch)			Box Qty.	Weight (ea.) (kg / lbs)	Reference
		A	B	t			
30 x 30 x 3,00	250	30 / 1.18	30 / 1.18	3,0 / 0.12	5		312110
30 x 30 x 3,00	300	30 / 1.18	30 / 1.18	3,0 / 0.12	5		312120
30 x 30 x 3,00	400	30 / 1.18	30 / 1.18	3,0 / 0.12	5		312140
30 x 30 x 3,00	500	30 / 1.18	30 / 1.18	3,0 / 0.12	5		312160
30 x 30 x 3,00	600	30 / 1.18	30 / 1.18	3,0 / 0.12	5		312170
30 x 30 x 3,00	800	30 / 1.18	30 / 1.18	3,0 / 0.12	5		312180
30 x 30 x 3,00	1000	30 / 1.18	30 / 1.18	3,0 / 0.12	5		312190